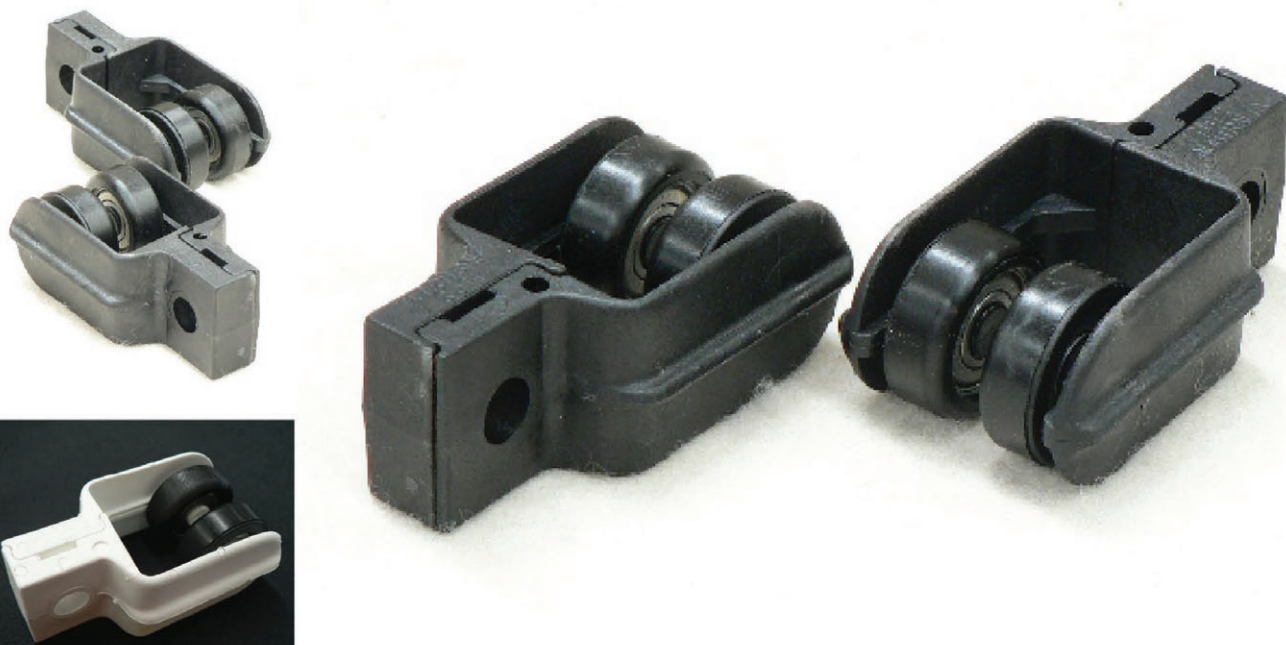


STS080 Performance Space Curtain Runner



DESCRIPTION

The STS 080 track runner is a sealed ball bearing wheeled runner, manufactured from heavy duty polypropylene. Manufactured in two halves, the two pieces connect readily, but allow for simple removal when required.

The runner allows curtains, scrims and cloths to be suspended from traditional cord or cotton sash ties. The runner is configured to carry 30 kgs and is designed for use with both the STS 075 and STS 117 track.

Available in black or white polypropylene.

Reduced pricing available for runners purchased in bulk.

FEATURES

- Sealed ball bearing runner
- Manufactured from heavy duty polypropylene
- Two pieces for easy connection
- Easy removal when required
- Carry up to 30 kgs
- Available in black or white
- Quiet operation



"Specialty Theatre have designed and manufactured quality theatre equipment since 1969. Our products are installed in 38 countries around the world"

NOTE: Specifications are subject to change without notice. While all due care and attention has been taken in the preparation of this document, Specialty Theatre Pty Ltd shall not be liable for any inaccuracies or omissions which may occur therein. Manufactured by Specialty Theatre Pty Ltd. ACN 661 878 271.

specialtytheatre.com.au

SPECIALTY THEATRE PTY LTD ACN 661 878 271

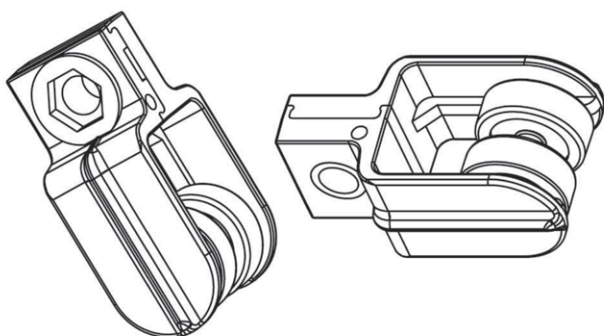
40 Tennyson Street, Williamstown, VIC 3016 AUSTRALIA | phone +61 3 9028 0310 | email theatre@specialtytheatre.com.au



STS080 Performance Space Curtain Runner

ARCHITECTS/ ENGINEERS SPECIFICATIONS

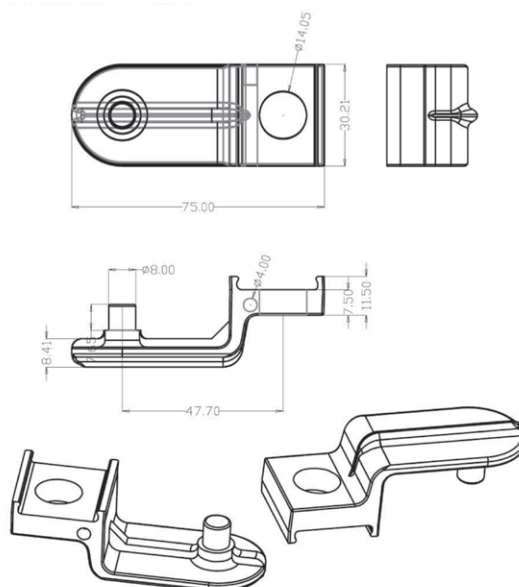
- The assembly of this runner is in two identical parts fitting together. They are moulded from black reinforced nylon.
- The bearing is a roller type bearing.
- The wheel is 19mm in diameter.
- The runner snaps together as two identical parts and are removable from the track.
- This runner is suitable for use with the following STS 117 and STS 075



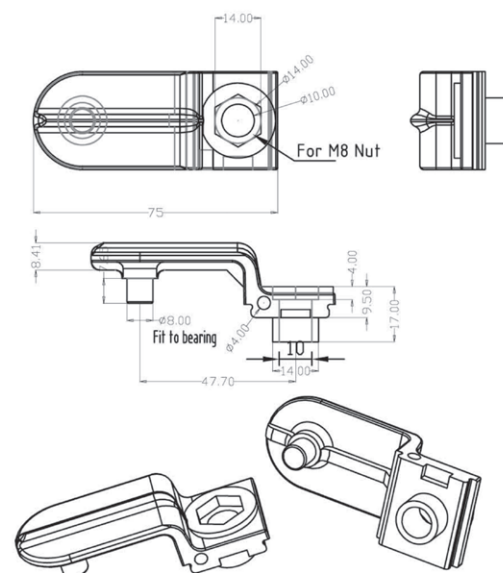
OVERALL SPECIFICATIONS

- WLL: 30kgs
- Dimensions: 50mm x 25mm x 20mm
- Colour: Black/White
- Material: Nylon
- Bearing Type: Ball Bearing

BRACKET - MALE



BRACKET - FEMALE



FOR FURTHER INFORMATION PLEASE CONTACT SPECIALTY THEATRE OR YOUR NEAREST SPECIALTY THEATRE DEALER:

specialtytheatre.com.au

SPECIALTY THEATRE PTY LTD ACN 661 878 271

40 Tennyson Street, Williamstown, VIC 3016 AUSTRALIA | phone +61 3 9028 0310 | email theatre@specialtytheatre.com.au

