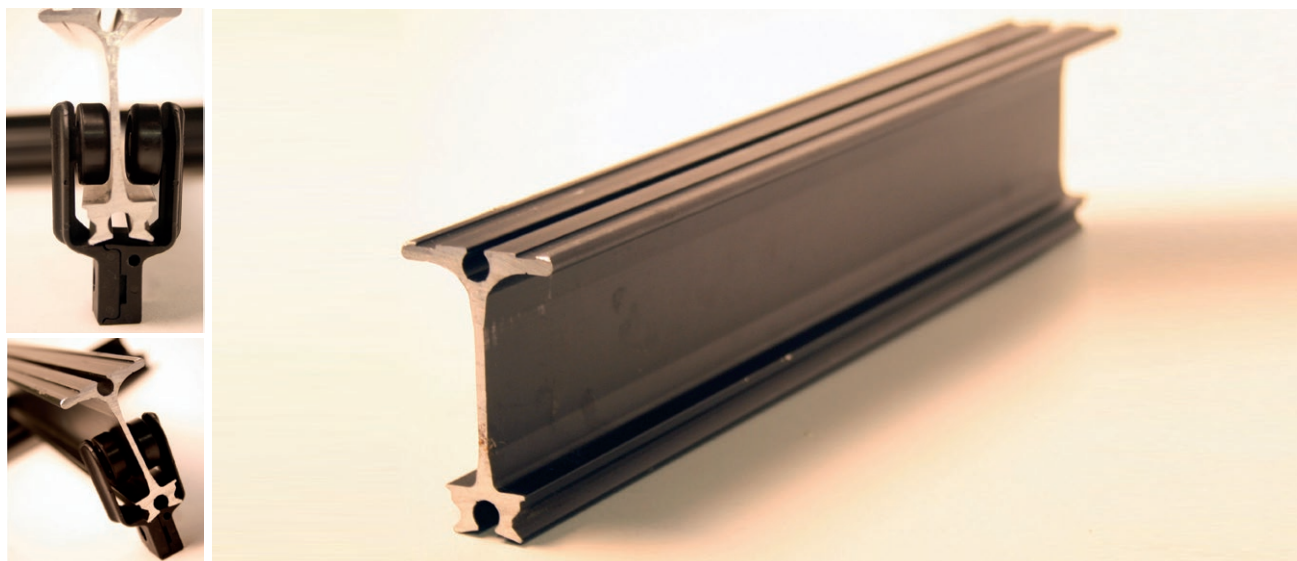


STS075 Heavy Duty Track



DESCRIPTION

Sold to most markets throughout the world, including America, Asia and Europe, the STS heavy duty track is made from premium quality, extruded aluminium to meet the highest standards and tolerances. Though the track system is designed for use in the cinema and live theatre industries, it features many architectural/ industrial applications, limited only by the user's imagination. The track system operation can be Hand Drawn, Cord Drawn or Motorised.

The motor system can be optioned in many different ways - pending on speed, load capacities, drift or travel and number of required stops/positions needed.

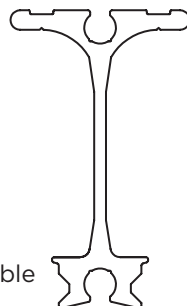
FEATURES

- Robust • Extremely quiet • Black anodised finished • Durable
- Last a lifetime of the building • Requires minimal maintenance

OVERALL SPECIFICATIONS

STS Track Proprietary Line - Available in 5800 length without joins in Black anodised finish. Track can span to 2500mm between supports. Curves are to be 1000mm unless otherwise stated. Track runners are to be provided at 250mm centres for curtains up to 3000mm wide, and 300mm centres for curtains over 3000mm wide.

- **Material:** Aluminium
- **Weight:** 1.75kg per 1000mm
- **Standard Length:** 5800mm
- **Finish:** Black Anodised Matt
- **Suspension:** Up to 2500mm between centres
- **Standard bends:** 500/750/1000/1200mm
- **Fixing:** Top, face, barrel & beam fixing brackets available
- **Standard Radius:** 90 - 45



“Specialty Theatre have designed and manufactured quality theatre equipment since 1969. Our products are installed in 38 countries around the world”

NOTE: Specifications are subject to change without notice. While all due care and attention has been taken in the preparation of this document, Specialty Theatre Pty Ltd shall not be liable for any inaccuracies or omissions which may occur therein. Manufactured by Specialty Theatre Pty Ltd. ACN 661 878 271.

STS075 Profile Track - 6.5m length

specialtytheatre.com.au

SPECIALTY THEATRE PTY LTD ACN 661 878 271

40 Tennyson Street, Williamstown, VIC 3016 AUSTRALIA | phone +61 3 9028 0310 | email theatre@specialtytheatre.com.au

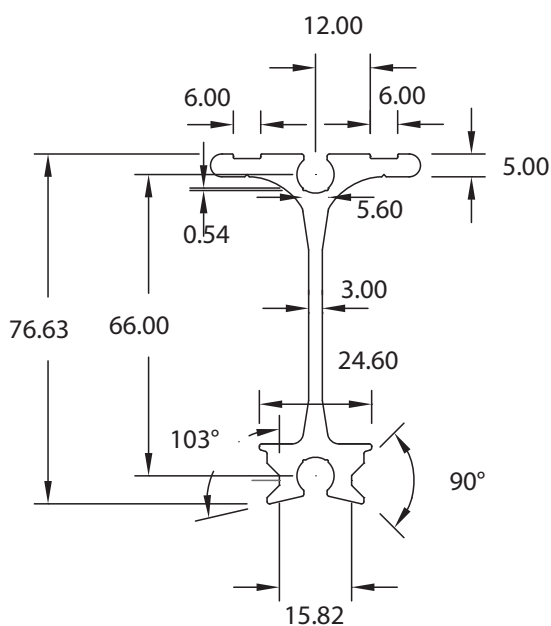


STS075 Heavy Duty Track

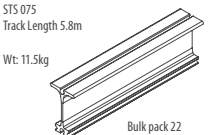

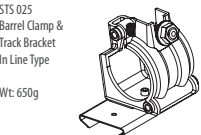
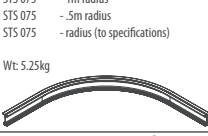
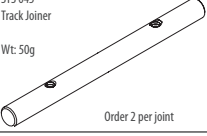
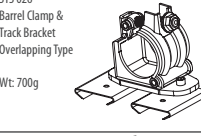
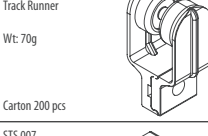
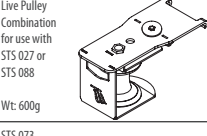
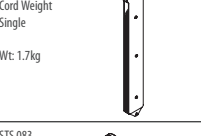
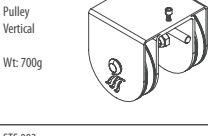
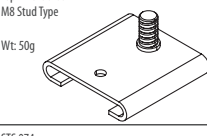
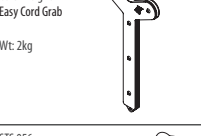
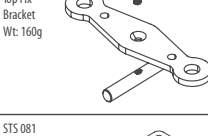
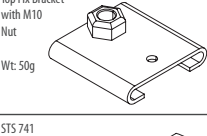
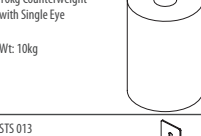
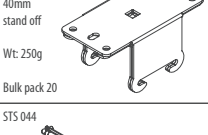
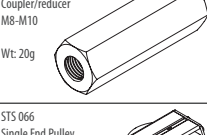

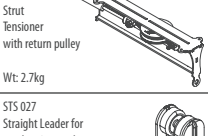
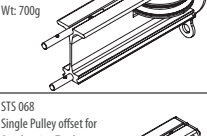
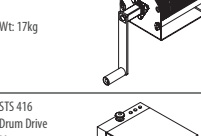
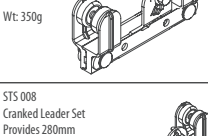
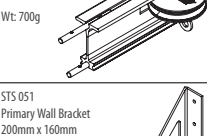
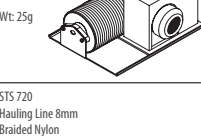
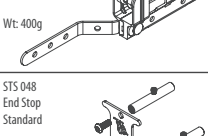
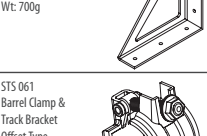
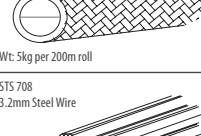
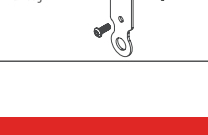

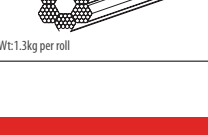
ARCHITECTS/ ENGINEERS SPECIFICATIONS

Mechanical and Electrical.

- The tracking system shall consist of a heavy duty extruded aluminium section that is anodised matt black, available in lengths up to 5.8 meters.
- The tracking system shall be capable of spanning up to 2.5m without intermediate support and shall be able to be readily curved to suit custom applications.
- Components to suit and complimenting the track shall be available as well, including runners, end pulleys, cranked and straight leaders, joining plates, mounting brackets, etc.
- The runners will feature black nylon tyres with ball bearing wheels that will be silent during operation.
- The tracking system and all other components shall be Specialty Theatres' professional heavy duty tracking system and components.



ACCESSORIES: ORDERING INFORMATION

<p>STS 075 Track Length 5.8m Wt: 11.5kg Bulk pack 22</p> 	<p>STS 049 End Stop with Cord Eye Wt: 100g</p> 	<p>STS 025 Barrel Clamp & Track Bracket In Line Type Wt: 650g</p> 
<p>STS 075 - 1m radius STS 075 - .5m radius STS 075 - radius (to specifications) Wt: 5.25kg</p> 	<p>STS 045 Track Joiner Wt: 50g Order 2 per joint</p> 	<p>STS 026 Barrel Clamp & Track Bracket Overlapping Type Wt: 700g</p> 
<p>STS 080 Track Runner Wt: 70g Carton 200 pcs</p> 	<p>STS 028 Live Pulley Combination for use with STS 027 or STS 088 Wt: 600g</p> 	<p>STS 082 Cord Weight Single Wt: 1.7kg</p> 
<p>STS 007 Double End Pulley Vertical Wt: 700g</p> 	<p>STS 073 Top Fix Bracket M8 Stud Type Wt: 50g</p> 	<p>STS 083 Cord Weight Easy Cord Grab Wt: 2kg</p> 
<p>STS 003 Top Fix Bracket Wt: 160g</p> 	<p>STS 074 Top Fix Bracket with M10 Nut Wt: 50g</p> 	<p>STS 056 10kg Counterweight with Single Eye Wt: 10kg</p> 
<p>STS 081 Ceiling Bracket 40mm stand off Wt: 250g Bulk pack 20</p> 	<p>STS 741 Threaded Rod Coupler/reducer M8-M10 Wt: 20g</p> 	<p>STS 013 Floor Mount Tensioner Wt: 800g</p> 
<p>STS 044 Strut Tensioner with return pulley Wt: 2.7kg</p> 	<p>STS 066 Single End Pulley Wt: 700g</p> 	<p>STS 096 Hand Winding Drum Wt: 17kg</p> 
<p>STS 027 Straight Leader for overlapping track Wt: 350g</p> 	<p>STS 068 Single Pulley offset for Overlapping Track Wt: 700g</p> 	<p>STS 416 Drum Drive Motor Wt: 25g</p> 
<p>STS 008 Cranked Leader Set Provides 280mm overlap Wt: 400g</p> 	<p>STS 051 Primary Wall Bracket 200mm x 160mm Wt: 700g</p> 	<p>STS 720 Hauling Line 8mm Braided Nylon Wt: 5kg per 200m roll</p> 
<p>STS 048 End Stop Standard Wt: 100g</p> 	<p>STS 061 Barrel Clamp & Track Bracket Offset Type Wt: 500g</p> 	<p>STS 708 3.2mm Steel Wire Wt: 1.3kg per roll</p> 

STS075 Profile Track - 6.5m length

specialtytheatre.com.au

SPECIALTY THEATRE PTY LTD ACN 661 878 271

40 Tennyson Street, Williamstown, VIC 3016 AUSTRALIA | phone +61 3 9028 0310 | email theatre@specialtytheatre.com.au

