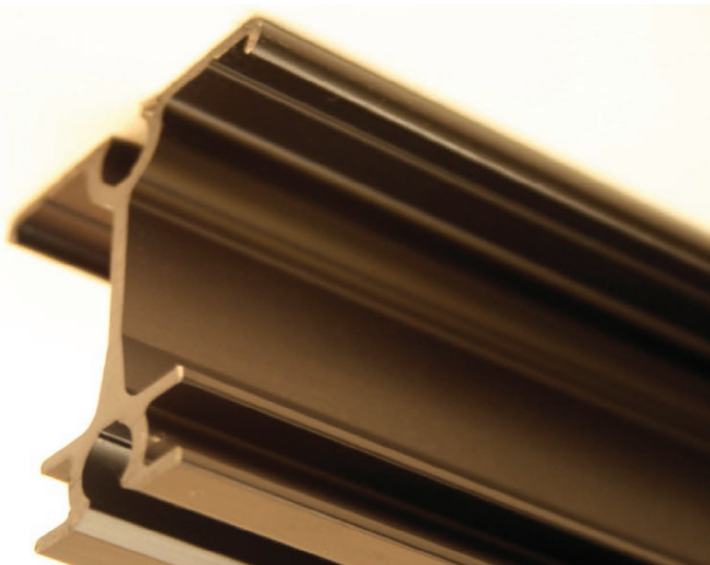


STS117 Medium Duty Track



DESCRIPTION

Developed and designed specifically for theatre use, the STS track system is not only heavy duty and extremely quiet, but the track will last a lifetime of any building, with minimal maintenance. Our tracks are sold to most markets throughout the world, including America, Asia and Europe. Applications for this system are only limited by imagination, as it is adaptable for room dividers, convention centres, studios, performing spaces and many other similar spaces. The track system operation can be Hand Drawn, Cord Drawn or Motorised. The motor system can be optioned in many different ways - pending on speed, load capacities, drift or travel and number of required stops/positions needed.

FEATURES

- Robust • Extremely quiet • Black anodised finished • Durable
- Last a lifetime of the building • Requires minimal maintenance

OVERALL SPECIFICATIONS

STS Track Proprietary Line - Available in 5800 length without joins in Black anodised finish. Track can span to 2500mm between supports. Curves are to be 1000mm unless otherwise stated. Track runners are to be provided at 250mm centres for curtains up to 3000mm wide, and 300mm centres for curtains over 3000mm wide.

- **Material:** Aluminium
- **Weight:** 0.95kg per 1000mm
- **Standard Length:** 5800mm
- **Finish:** Black Anodised Matt
- **Suspension:** Up to 2500mm between centres
- **Standard bends:** 500/750/1000/1200mm
- **Fixing:** Top, face, barrel & beam fixing brackets available
- **Standard Radius:** 90 - 45



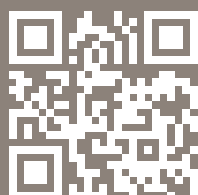
“Specialty Theatre have designed and manufactured quality theatre equipment since 1969. Our products are installed in 38 countries around the world”

NOTE: Specifications are subject to change without notice. While all due care and attention has been taken in the preparation of this document, Specialty Theatre Pty Ltd shall not be liable for any inaccuracies or omissions which may occur therein. Manufactured by Specialty Theatre Pty Ltd. ACN 661 878 271.

specialtytheatre.com.au

SPECIALTY THEATRE PTY LTD ACN 661 878 271

40 Tennyson Street, Williamstown, VIC 3016 AUSTRALIA | phone +61 3 9028 0310 | email theatre@specialtytheatre.com.au

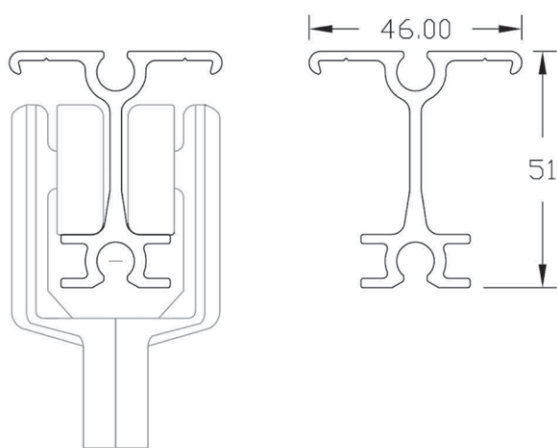


STS117 Medium Duty Track


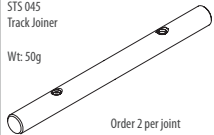
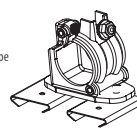
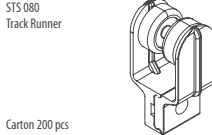
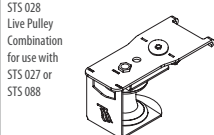
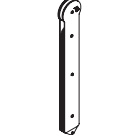
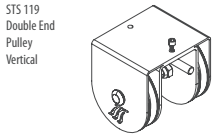
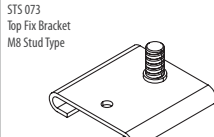

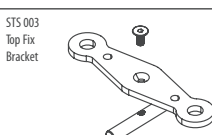
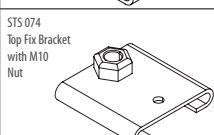
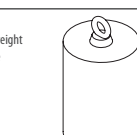
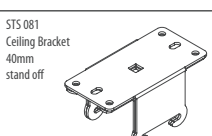
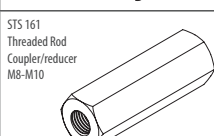
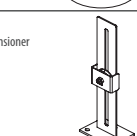
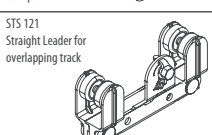
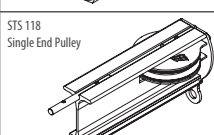
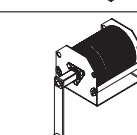
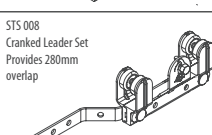
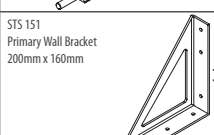
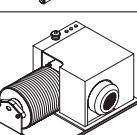
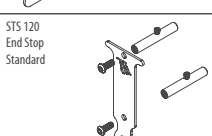
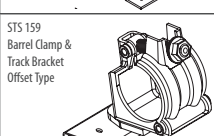
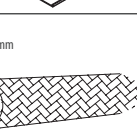
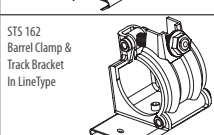
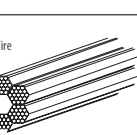
ARCHITECTS/ ENGINEERS SPECIFICATIONS

Mechanical and Electrical.

- The tracking system shall consist of a heavy duty extruded aluminium section that is anodised matt black, available in lengths up to 5.8 metres.
- The tracking system shall be capable of spanning up to 2.5m without intermediate support and shall be able to be readily curved to suit custom applications.
- Components to suit and complimenting the track shall be available as well, including runners, end pulleys, cranked and straight leaders, joining plates, mounting brackets, etc.
- The runners will feature black nylon tyres with ball bearing wheels that will be silent during operation.
- The tracking system and all other components shall be Specialty Theatres' professional heavy duty tracking system and components.



ACCESSORIES: ORDERING INFORMATION

<p>STS 117 - 1m radius STS 117 - 5m radius STS 117 - radius (to specifications)</p> 	<p>STS 045 Track Joiner Wt: 50g</p>  <p>Order 2 per joint</p>	<p>STS 163 Barrel Clamp & Track Bracket Overlapping Type</p> 
<p>STS 080 Track Runner Carton 200 pcs</p> 	<p>STS 028 Live Pulley Combination for use with STS 027 or STS 088</p> 	<p>STS 110 Cord Weight Single</p> 
<p>STS 119 Double End Pulley Vertical</p> 	<p>STS 073 Top Fix Bracket M8 Stud Type</p> 	<p>STS 170 Cord Weight Easy Cord Grab</p> 
<p>STS 003 Top Fix Bracket</p> 	<p>STS 074 Top Fix Bracket with M10 Nut</p> 	<p>STS 056 10kg Counterweight with Single Eye</p> 
<p>STS 081 Ceiling Bracket 40mm stand off Bulk pack 20</p> 	<p>STS 161 Threaded Rod Coupler/reducer M8-M10</p> 	<p>STS 156 Floor Mount Tensioner</p> 
<p>STS 121 Straight Leader for overlapping track</p> 	<p>STS 118 Single End Pulley</p> 	<p>STS 153 Hand Winding Drum</p> 
<p>STS 008 Cranked Leader Set Provides 280mm overlap</p> 	<p>STS 151 Primary Wall Bracket 200mm x 160mm</p> 	<p>STS 416 Drum Drive Motor</p> 
<p>STS 120 End Stop Standard</p> 	<p>STS 159 Barrel Clamp & Track Bracket Offset Type</p> 	<p>STS 164 Hauling Line 8mm Braided Nylon</p> 
	<p>STS 162 Barrel Clamp & Track Bracket In Line Type</p> 	<p>STS 165 3.2mm Steel Wire</p> 

FOR FURTHER INFORMATION PLEASE CONTACT SPECIALTY THEATRE OR YOUR NEAREST SPECIALTY THEATRE DEALER:

specialtytheatre.com.au

SPECIALTY THEATRE PTY LTD ACN 661 878 271

40 Tennyson Street, Williamstown, VIC 3016 AUSTRALIA | phone +61 3 9028 0310 | email theatre@specialtytheatre.com.au

